

Cooper Bussmann

- Homepage
- About Cooper Bussmann
- Contact Us
- Privacy
- Legal
- Cooper Bussmann® Brand
- Site Map

GDA-5A

Fast Acting, 5 X 20 mm, Ceramic Tube Fuse

Product Information

Product Type:	Fuse
Product Family:	Electronic
Brand:	Cooper Bussmann

Recommended Products

Rec. Fuse Block:	HTC-15M
Rec. Inline Fuse Holder:	HHT
Rec. Panel-mount Fuse Holder:	HTB Series
Rec. Fuse Clips:	1A3399 Series

Physical Properties

Dimensions:	0.79in.(L) × 0.19in.(W) × 0in.(H)
-------------	-----------------------------------

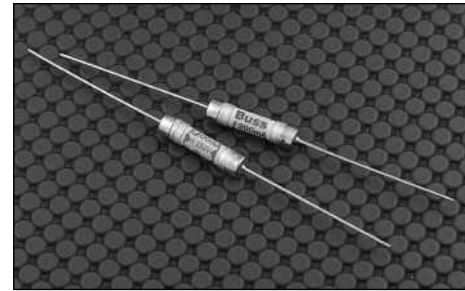
Electrical Properties

Maximum AC Voltage:	250
Amperage Rating:	5
AC Interrupting Ratings:	<ul style="list-style-type: none"> • 1500 at 250V
Fast Acting:	Yes

Description

- Fast acting, high breaking capacity
- 5mm x 20mm physical size
- Ceramic tube, nickel brass endcap construction
- Optional axial leads are .032" x 1.5" copper tinned
- Designed to IEC 60127-2

ELECTRICAL CHARACTERISTICS							
In	1.5 In		2.1 In		4 In		10 In
	min	max	min	max	min	max	max
50mA-3.15A	60 min	30 min	10 ms	2 sec	3 ms	300 ms	20 ms
4A-10A	60 min	30 min	10 ms	3 sec	3 ms	300 ms	20 ms



Ordering

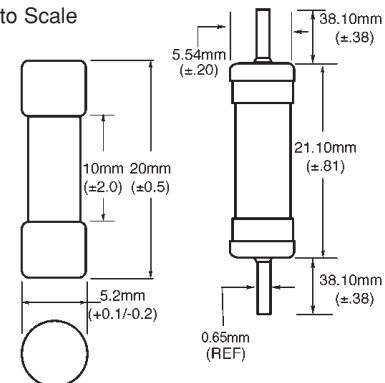
- Specify product code, option code and packaging code

Agency Information

- UL Recognized Card: (50mA and 315mA-6.3A) Guide JDYX2, File E19180
- CSA Component Acceptance: File 53787
- Semko Approval 50mA, 200mA and 315mA-6.3A
- VDE Approval 1.25A-6.3A
- IMQ Approval 500mA, and 2.0A-6.3A

Dimensions

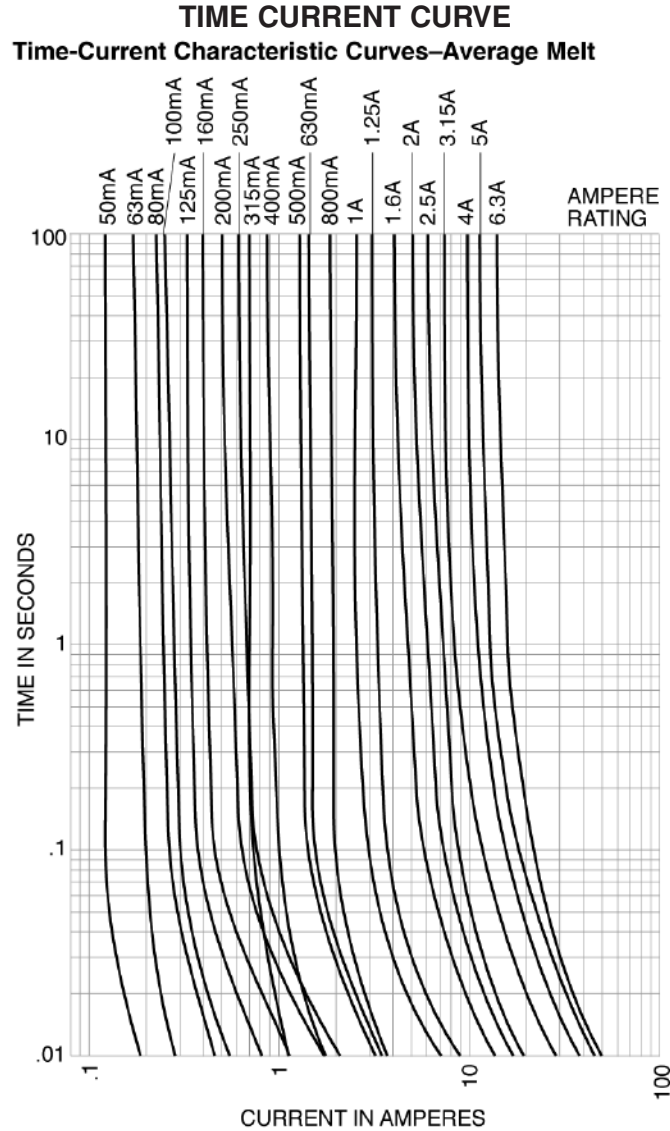
Drawing Not to Scale



- Ratings above 6.3A have a 0.8mm diameter lead
- With TR2 packaging code, lead wire length is 19.05mm

SPECIFICATIONS				
Product Code	Voltage Rating AC	Interrupting Rating at Rated Voltage (50Hz) AC	Typical Melting I ² t (A ² Sec) AC	Typical Voltage Drop (mV)‡
GDA-50mA	250V	1500A	0.0017	9000
GDA-63mA	250V	1500A	0.0005	3300
GDA-80mA	250V	1500A	0.0011	2600
GDA-100mA	250V	1500A	0.0018	2300
GDA-125mA	250V	1500A	0.0037	1900
GDA-160mA	250V	1500A	0.008	1600
GDA-200mA	250V	1500A	0.020	1350
GDA-250mA	250V	1500A	0.027	1300
GDA-315mA	250V	1500A	0.010	1400
GDA-400mA	250V	1500A	0.018	1200
GDA-500mA	250V	1500A	0.038	1050
GDA-630mA	250V	1500A	0.064	1200
GDA-800mA	250V	1500A	0.097	490
GDA-1A	250V	1500A	0.480	230
GDA-1.25A	250V	1500A	0.9	200
GDA-1.6A	250V	1500A	1.9	180
GDA-2A	250V	1500A	2.0	205
GDA-2.5A	250V	1500A	3.9	190
GDA-3.15A	250V	1500A	8.1	160
GDA-4A	250V	1500A	14	160
GDA-5A	250V	1500A	25	155
GDA-6.3A	250V	1500A	48	150

‡ Typical Voltage Drop (Voltage drop was measured at 20°C ambient temperature at rated current)



OPTION CODE	
Option Code	Description
V	Axial leads - copper tinned wire with nickel plated brass overcaps

PACKAGING CODE	
Packaging Code	Description
BK	100 pieces of fuses packed into a cardboard carton
BK1	1,000 pieces of fuses packed into a poly bag
TR2	1,500 pieces of fuses packed into tape on a reel (19.05mm lead wire length)